

MIRACLE X10 TARGET RECURVE BOW KIT OWNER'S MANUAL





TABLE OF CONTENTS

Important Safety Information	01
Recurve Bow Terminology & Packing Details	04
Bow Length	06
Draw Weight	06
Bow Assembly (Installing Limbs&String)	06
Limb Alignment Adjustment	08
Adjusting Weight	10
Adjusting Tiller	10
Adjusting Center Shot	11
Brace Height Range Chart	11
Accessories Setup	11
Limb Maintenance	15
Warranty	15

THANK YOU FOR CHOOSING SANLIDA ARCHERY

Congratulations on the purchase of your new Sanlida recurve product.

You will be pleased to know that you have just purchased the world's best cost-effective bow. With proper use and some basic maintenance, your new Sanlida recurve product will provide you with years of great shooting and reliability.

Archery is a very enjoyable form of recreation for people of all ages and abilities. It is important to note that archery equipment, when not used properly, can create a dangerous situation, including death and serious personal injury for the archer or those around them. It is up to you to be a responsible archer protecting both you and others when enjoying this great sport. Whether you are an experienced archer or have never shot a bow, you must **READ THIS ENTIRE MANUAL CAREFULLY BEFORE USING YOUR BOW.** Following all warnings and instructions contained in this manual will help ensure you and others have the safest and most enjoyable shooting experience possible. Keep this owner's manual handy and reference it often. Should you lose this manual you can find a current manual online at www.sanlidaarchery.com. Good luck and safe shooting!

BOW OWNER'S PERSONAL INFO

Fill in the following personal bow record for your reference.

Sanlida Riser Model: _____

Sanlida Limb Model: _____

Purchased From: _____

Purchase Date: _____

Length: _____ Weight: _____

IMPORTANT!

The sales receipt is your proof of date-of-purchase.

Proof of date-of-purchase will be required if your bow ever needs warranty service.

SAFETY INFORMATION

READ THIS MANUAL CAREFULLY BEFORE HANDLING OR USING YOUR Sanlida BOW. YOU ARE RESPONSIBLE FOR ARCHERY SAFETY.

⚠ WARNING: Always read the warning labels and manufacturer's instructions of all products being used in conjunction with a Sanlida bow, including but not limited to all archery accessories and components directly attached to the bow or used in conjunction with the bow such as targets, arrows, release aids, etc.

⚠ WARNING: An adult should always supervise minors when they are handling or shooting a bow.

⚠ WARNING: Never use alcohol or drugs while handling or shooting your bow.

⚠ WARNING: Never lose hand of the bow riser while drawing the bow, holding the bow at full draw, or shooting the bow. It is important that you are able to maintain a consistent and secure grip on the bow riser without slippage of your hand on the bow grip. Use of items such as hand lotions, sunscreens, and insect repellents may limit your ability to maintain control of the grip.

⚠ WARNING: Always ensure that the area around your bow is clear of any objects to prevent items from being caught in the moving parts of the bow. When shooting your bow, never wear loose clothing, jewelry, or other items worn on your body that may get caught in the bow or bow string when the bow is shot.

⚠ WARNING: Never point or aim a bow at another person. Be sure of your target and what lies beyond. Never shoot arrows straight up into the air. Make sure that the path from where you are shooting to the target and beyond is free from people and objects.

⚠ WARNING: Never dry fire your bow. To dry fire your bow, means to shoot the bow without an arrow. Never try drawing a bow that is too heavy for your strength or that does not fit your draw length as this could lead to an unintentional dry fire. A dry fire could cause your bow to break and cause death or serious injury to you or others. If your bow is dry-fired there could be both seen and unseen damage and it should be returned to an Authorized Sanlida Retailer for inspection before any further use.

⚠ WARNING: Never loosen your limb weight adjustment bolts (Tiller Bolts) more than 6 turns from the bottomed-out position as it could cause the bow to violently disassemble.

⚠ WARNING: Do not perform any maintenance, adjustments, or have any work performed of any kind on any part of your bow while drawing or during any other part of the shooting cycle. Do not allow others to work on or touch any part of your bow during the shooting cycle.

⚠ WARNING: Never shoot a damaged arrow. Before each shot, inspect your arrows for damage. See the specific arrow manufacturer's warnings and instructions on proper arrow inspection methods. Discard all damaged arrows.

⚠ WARNING: Never mechanically alter or modify your bow. Drilling holes, cutting, filing, or sanding are examples of mechanically altering your bow which will likely cause the bow to break and could cause death or serious injury.

⚠ WARNING: Never draw or shoot a bow with frayed, worn, or damaged strings as it could break. Frayed, worn, or damaged bowstrings should be immediately replaced before the bow is used. Only Authorized Sanlida or use-branded strings should be used on your bow. Carefully inspect the string each time before shooting your bow.

⚠ WARNING: Never expose your string to sharp objects such as knives or broadheads, or direct heat sources such as open flame or extremely hot objects as they could easily cut or cause the string to break.

⚠ WARNING: Only use Authorized Sanlida manufactured replacement parts. Only Sanlida or a Authorized Sanlida Dealer should perform replacement of damaged parts. Failure to heed this warning could result in death or serious personal injury or death to yourself or bystanders.

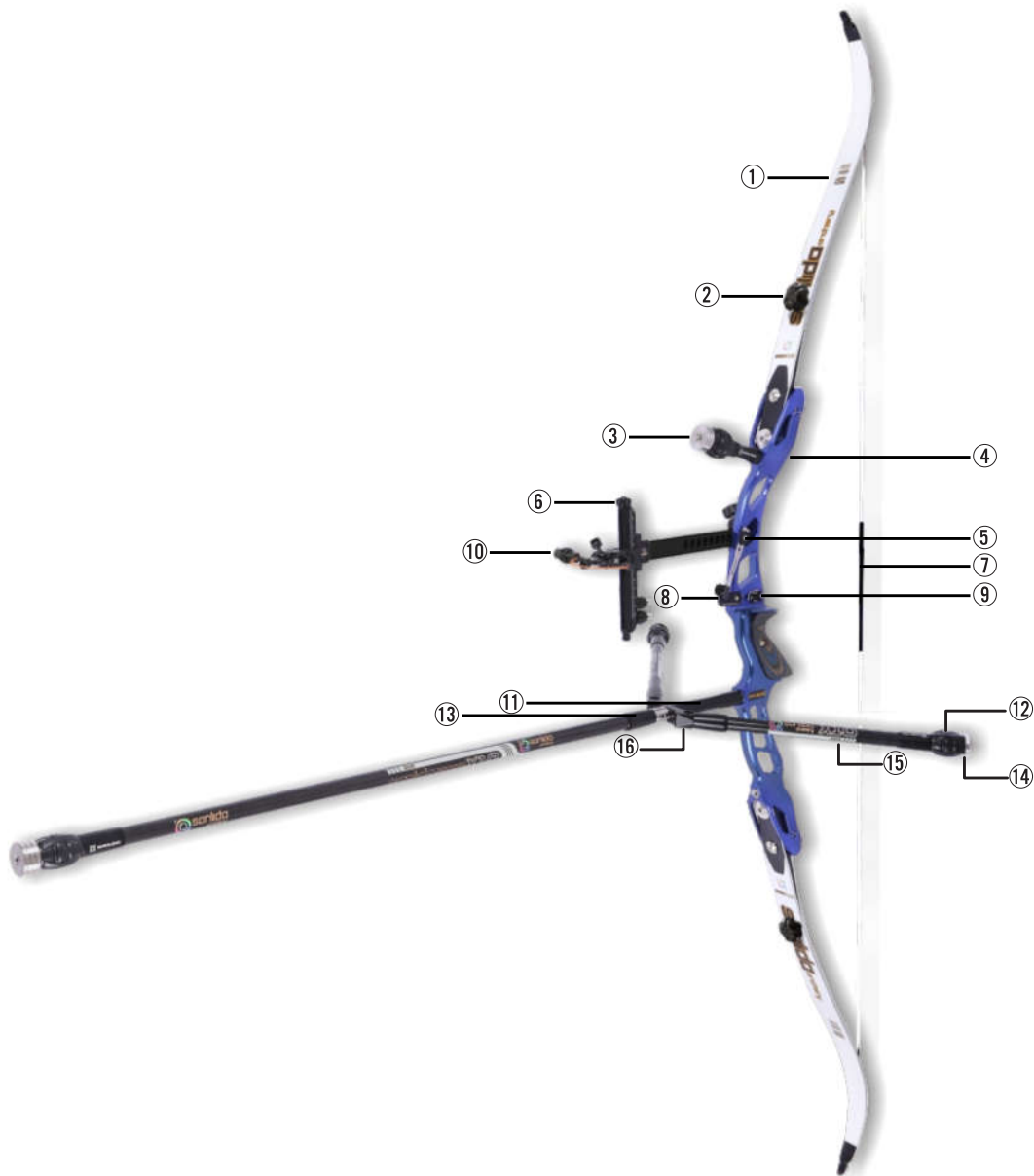
⚠ WARNING: Never expose your bow to extreme heat or prolonged moisture. Damage can occur to your bow from heat exposure, prolonged exposure to moisture and improper storage.

⚠ WARNING: When handling and using a bow, including all stages of the bow being drawn to full draw, the bowstring being released, or the bow being let down, the archer and all bystanders must keep all body parts outside of the path of the bowstring and away from all moving parts.

BE SURE OF YOUR TARGET. Make sure that there are no persons, livestock, buildings or other objects behind or near your target. Be absolutely sure of your target in low light conditions.

**THANK YOU FOR
CHOOSING SANLIDA ARCHERY**

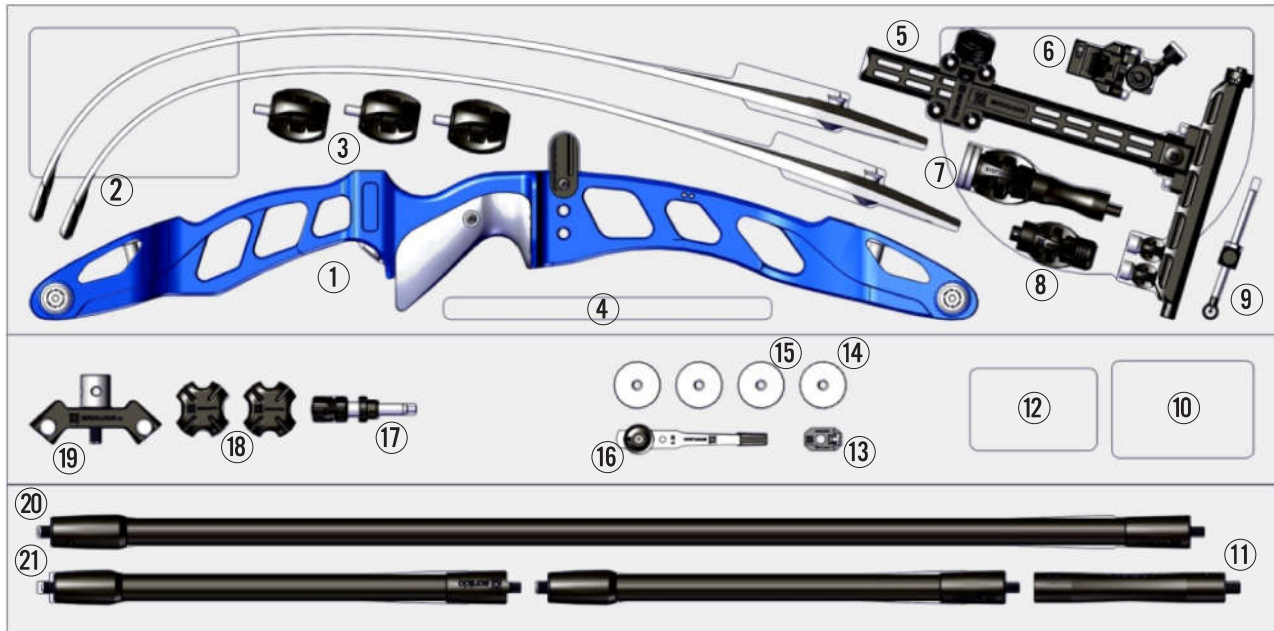
BOW TERMINOLOGY



- ① Miracle X10 Limbs
- ② X10 Limbs Damper
- ③ X10 Riser Damper
- ④ Miracle X10 Riser
- ⑤ X10 Clicker
- ⑥ X10 Sight
- ⑦ X10 String
- ⑧ X10 Cushion Plunger

- ⑨ X10 Arrow Rest
- ⑩ X10 Sight Pin Damper
- ⑪ X10 Stabilizer Extender
- ⑫ X10 Stabilizer Damper
- ⑬ X10 Stabilizer-Long Rod
- ⑭ X10 Stabilizer Weight
- ⑮ X10 Stabilizer-Side Rod
- ⑯ X10 Stabilizer V-bar

PACKING DETAILS OF MIRACLE X10 KIT



- | | |
|----------------|-----------------------------------|
| ① Riser | ⑫ Cushion Plunger Accessories Box |
| ② Limbs | ⑬ Arrow Rest |
| ③ Dampers | ⑭ Weight(56g) |
| ④ String | ⑮ Weight(28g) |
| ⑤ Sight | ⑯ Clicker |
| ⑥ Sight Block | ⑰ Cushion Plunger |
| ⑦ Riser Damper | ⑱ Limb Damper |
| ⑧ Sight Damper | ⑲ V-Bar |
| ⑨ Sight Pin | ⑳ Long Rod |
| ⑩ Wrench Box | ㉑ Side Rod |
| ⑪ Extender | |

BOW LENGTH

Bow length is the distance measured from the upper limb tip to lower limb tip of an unstrung bow with the tape following the limbs and going straight across the riser. Refer to the chart below to determine your bow length.

Riser length	Short limb	Medium limb	Long limb
25"	66"	68"	70"

DRAW WEIGHT

MIRACLE X10
H23 68-42
H25 70-40
MADE IN CHINA LOWER

To determine the weight on your Sanlida bow, refer to the limb specifications located on each limb.

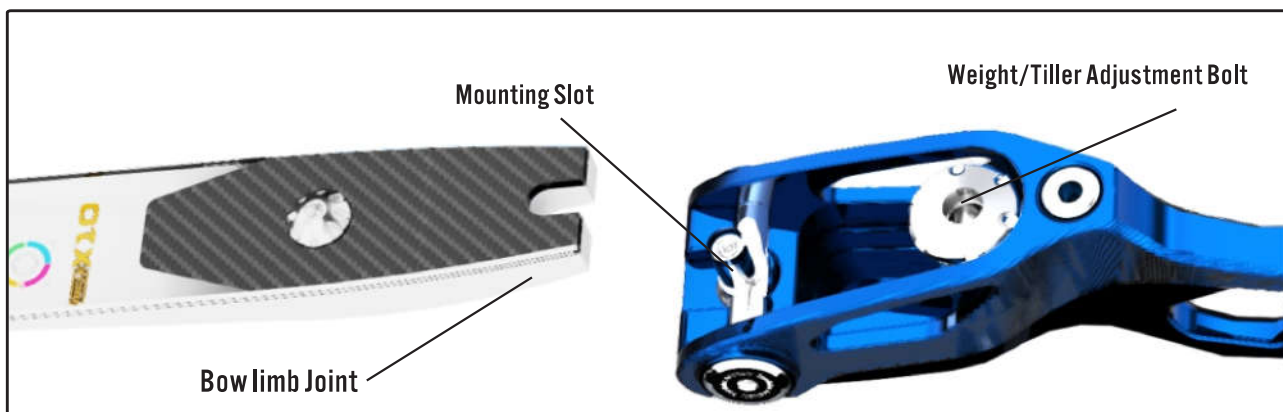
The weight marked on the limb is measured at a 28" standard A.T.A. (Archery Trade Association) draw length. The draw weight increases or decreases by about 2 pounds / 0.91 kg as draw length increase or decrease each 1 inch.

Note: All limb weights are indicated for a 25" riser. Actual limb weight depends upon draw length, brace height, riser length and limb bolt setting.

BOW ASSEMBLY

Installing Limbs

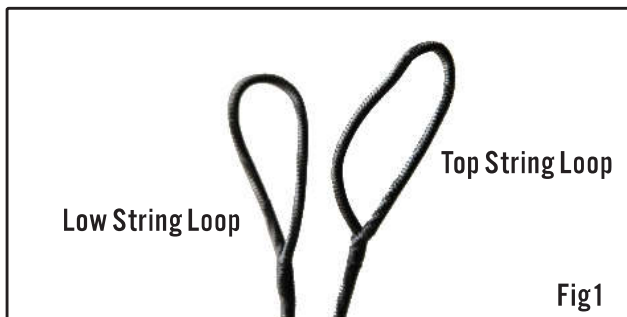
Fit the bow limb joint to the mounting slot in the riser pocket, push the limb ahead into the pocket until the detent button engages. You will hear a clatter, then the bow limb is installed in place. It is normal at this stage for there to be vertical movement possible with the limb.



Note: Distinguish clearly the upper limb or the lower limb before assembling. There is "upper" mark on the top limb and the "Lower" mark on the lower limb.

Shooting String Installation

1. Distinguish clearly the top string loop and the lower string loop. The larger loop installed on the top limb, the other smaller one on the lower limb(Fig 1).
2. Pull the larger end loop over the top limb tip. Slide the loop down the limb approximately 6 inches from the top limb tip(Fig 2). Then install the smaller end loop into the groove on the lower limb(Fig 3).
3. Set up the bow stringer onto the lower limb tip(Fig 4), and set up the other side on the top limb(Fig 5)
4. Feet apart a proper distance, stepped on the bow stringer cord, use your left-hand to pull up the bow riser, push the bigger loop slowly with right hand, until the string placed into the groove . Once the string is in place, carefully relax the bow stringer cord by slowly letting the bow down. The shooting string will tighten and hold the bow at brace height. Then remove the bow stringer (Fig 6).
5. Pull the bowstring back about 2 inches and released without arrow, to make sure the string is in position. This completes the assembly.



LIMB ALIGNMENT ADJUSTMENT

LIMB ALIGNMENT ADJUSTMENT

There are two kinds of adjustment systems for advanced target recurve bow: bolt adjustment and block adjustment (Fig7/8)



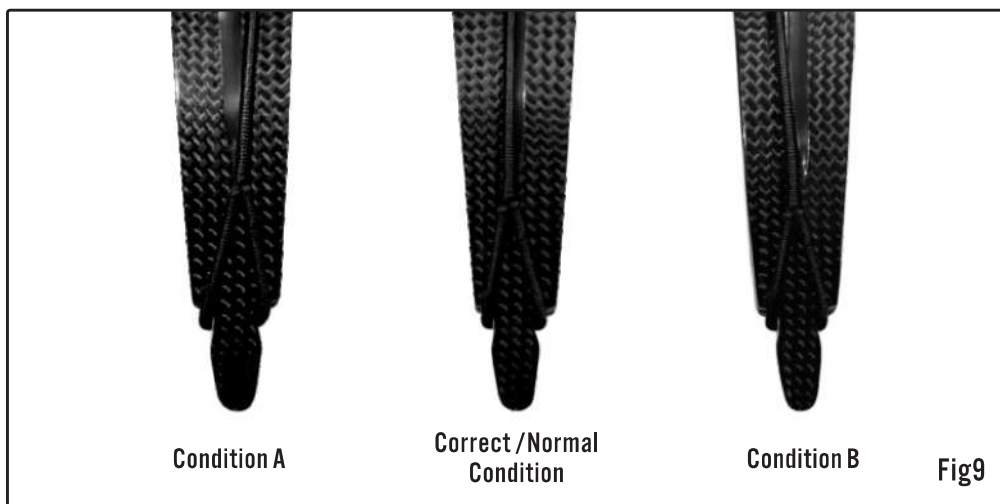
Bolt Adjustment Style system



Block Adjustment system

All bows from us will be pre-aligned in factory, generally no more adjustment need to make, but please refer to following instructions if you want :

Noted the limb and string condition.



Style A. Bolt adjustment system:

1. Unstring the bow and take off the limb.
2. Before adjusting the rotating shaft, observe the position of the adjustment bolt, locking bolt and the limb pocket. Mark it as a benchmark.
3. Hold the port of the adjustment bolt with an allen wrench, to the locking stud with another allen wrench, and to unscrew it anticlockwise (Fig 10). There are four shims on the bow handle, two pieces on each side, but the distribution quantity may be changed after factory adjustment.(Fig 11)

Note: the bolt must be inserted at the left of the riser, because it is asymmetrical.



Fig 10

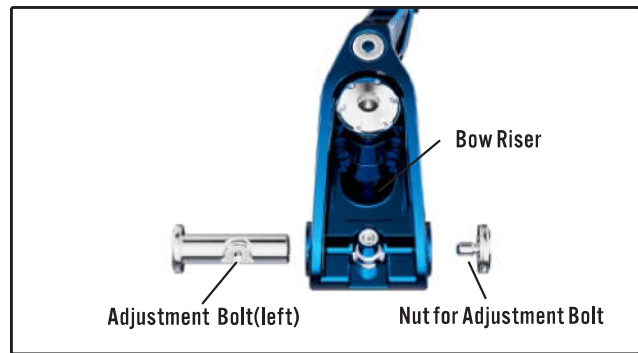


Fig11

4. If the limb is in the condition A(Fig 9), add a shims (maximum 4) on the left hand of the dowel. If it is the condition B, remove the shims on the left of the dowel. Only one shims is added or reduced each time.

Note: only the left of the dowel controls the alignment adjustment, so you can put the unused shims between the riser and the shaft washer, without affecting the alignment setting.

5. When the limb reaches the correct condition, tighten the locking stud and fix the dowel. Load all shims and tighten the locking screw with two allen wrenches.

Style B. Block adjustment system

1. Unscrew the locking screws clockwise with the allen wrench.(Fig 12 / 13)

2.If the limb is in the condition A(Fig 9)remove the locking screws, loosen the right adjustment screw first, then tighten the left adjustment screw to adjust it. If it is the condition B, loosen the left adjustment screw first and tighten the right adjustment screw to adjust it.

3.When the limb reaches the correct condition, screw the locking screws and fix the block. When adjusted to normal condition, check that all screws are fastened and then restring the bow.



Fig12

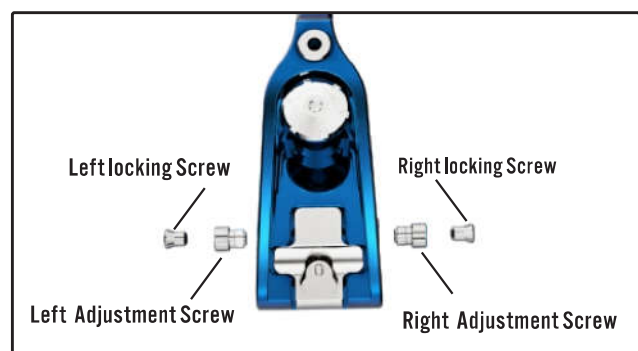


Fig13

ADJUSTING WEIGHT

The adjustable range of draw weight is about 10%. The influencing factors includes the limb length, the structure of the limb, the limb design and brace height etc.

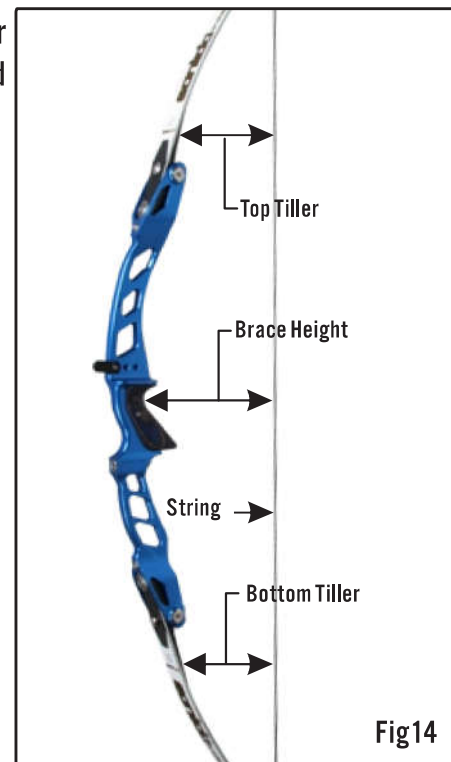
1. Unstring the bow
2. Unscrew the draw weight locking screws with the supplied Allen wrench. and loosen it
3. Rotate the weight/tiller adjustment bolt clockwise to increase the draw weight; Counter clockwise to reduce the draw weight.
4. Fix the weight/tiller adjustment bolt with the supplied allen wrench and lock the draw weight locking screw again, restring the bow.

ADJUSTING TILLER

Warning: Never loosen your limb weight adjustment bolts (Tiller Bolts) more than 6 turns from the bottomed-out position as it could cause the bow to violently disassemble.

Tiller is a measurement which indicates the weight relationship of the top and bottom limb. This static measurement effects bow reaction and aiming. It is easily measured by noting the difference between the top limb butt to the string, and the bottom limb butt and the string. The difference (if any) is the tiller.

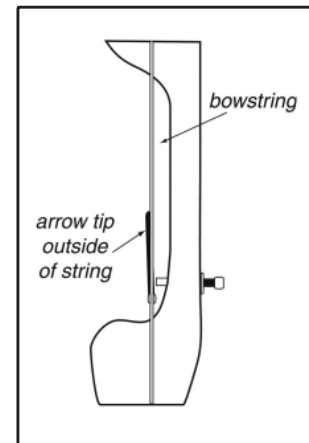
The degree of desirable tiller will vary from archer to archer, depending upon factors such as grip pressure, finger pressure, desired tuning pattern, desired aiming arc, desired bow reaction and more. As a starting point, it is usually easiest to tune a bow with 0 to 3/8" of tiller (distance from bottom limb to string is equal to that of the top limb, or less, by up to 3/8").



Typically, for most shooters with normal finger and hand pressure, anywhere from 0 to 3/8" of tiller is going to yield a bow which aims easily without "pulling" high or low, and which shoots more quietly. Measure the tiller as shown in the diagram Fig 14. If you wish to increase tiller without affecting bow weight, unstring the bow and add turns to the bottom limb tiller bolt, then reduce the exact same number of turns from the top limb tiller bolt. After re-locking the bolts and set screws, restring the bow. Do the opposite to decrease tiller. You can increase both tiller and bow weight by adjusting the bottom limb only.

ADJUSTING CENTER SHOT

The final step of tuning is to position your center shot. To start, position the arrow slightly outside of the center of the bowstring. To do that, begin by nocking an arrow and placing it on the arrow rest. Do not draw the bow, but position yourself behind the string side of the bow, looking down the arrow. Align the string down the center of the limbs and riser and check to see the position of the arrow tip relative to this line. Adjust the plunger or arrow rest until the inside edge of the arrow shaft aligns with this line.



BRACE HEIGHT RANGE CHART

The brace height is the vertical distance between the string and the center of the riser. Brace height is one of the important aspect of bow adjustment. The following chart shows the range of the chart brace height.

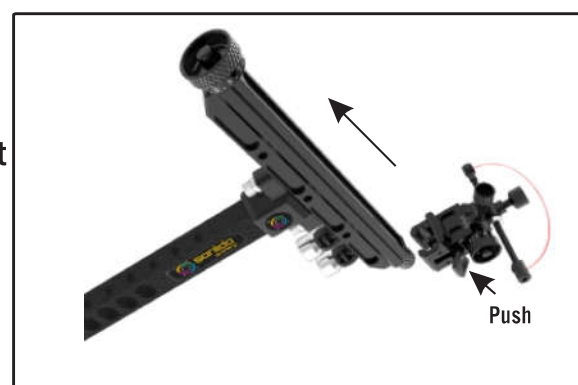
Riser	Limbs	Short	Medium	Long
25" Miracle X10	Lengh String Lengh Brace Height	66" 63" 8.25" ~ 9.0"	68" 65" 8.5" ~ 9.25"	70" 67" 8.75" ~ 9.5"

The brace height can be adjusted by twisting the string. To increase the twist number of the string can increases the brace height, and to reduce the twist number of the string can reduces the brace height. The optimum brace height is that the bow can be launched smoothly and the arrow fly perfectly, also tight group with less noise.

ACCESSORIES SETUP

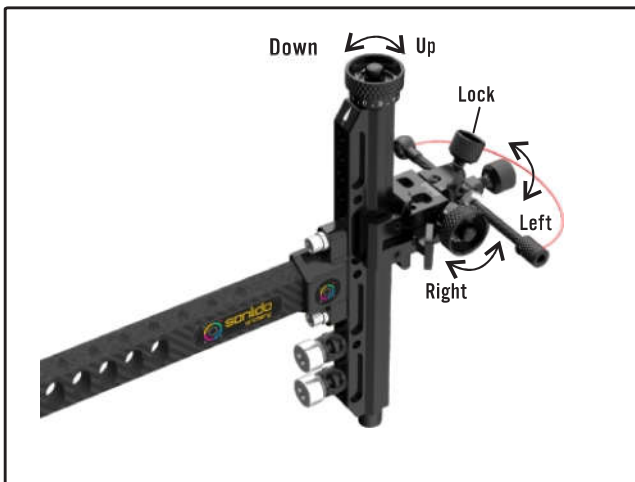
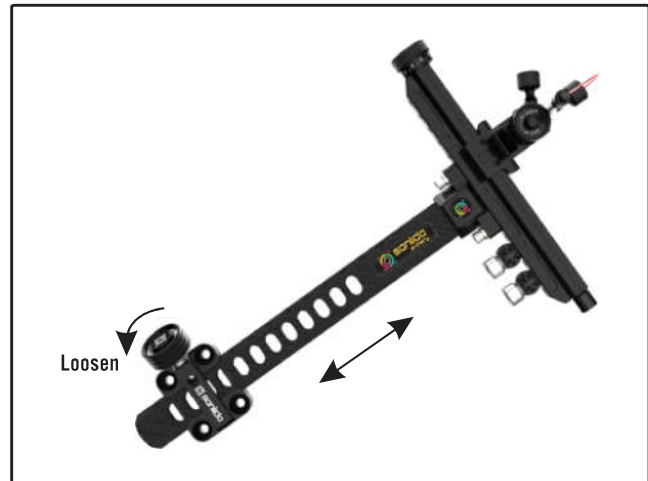
Sight installation

Push the adjust buttons on the Aperture Block and insert it from the bottom of the Elevation Bar. Move the Aperture Block to the proper location, then release the button, make sure the Aperture Block and Elevation Bar are matched perfectly.



Adjust the Sight

Loosen the fixed button on the sight mount, then the sight bar can be adjusted front and back.



Push the Aperture Block buttons, the pin can be adjusted up or down quickly.

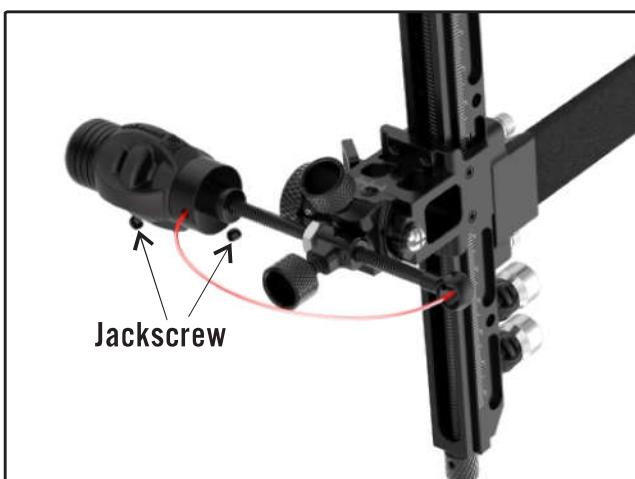
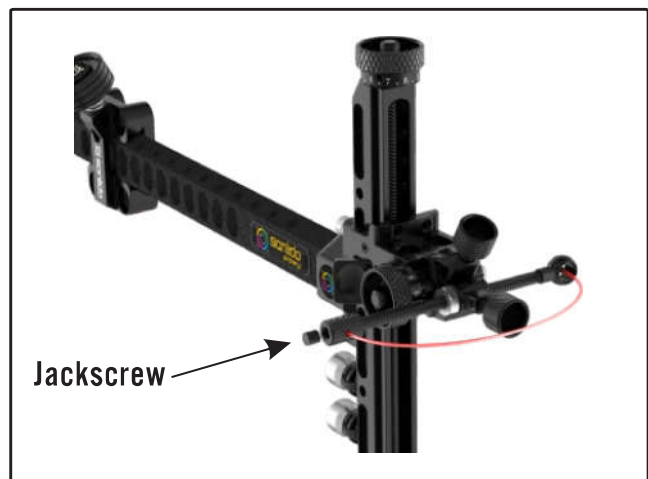
To adjust precisely, turn the up & down button, the pin will be adjusted up or down slightly. Turn the left & right button, the pin will be adjusted left or right slightly.

Release the sight pin cap nut then turn the pin bar, the pin can be adjusted to left or right quickly.

When the pin is adjusted to the proper position, then fix the cap nut to avoid the loose with the pin.

Optical Fiber Installation

Insert one end of the optical fiber into the central hole of the pin and the other end into the hole on the optical fiber fixing base, and lock it with jackscrew. Install the sight adjusted on the riser with screws.



Pin Damper Setup

Remove the optical fiber holder on the original pin. Screw the pin damper, insert one end of the optical fiber into the pin center hole and the other end into the optical fiber hole of the pin damper, and lock the screw and the optical fiber with the jackscrew.

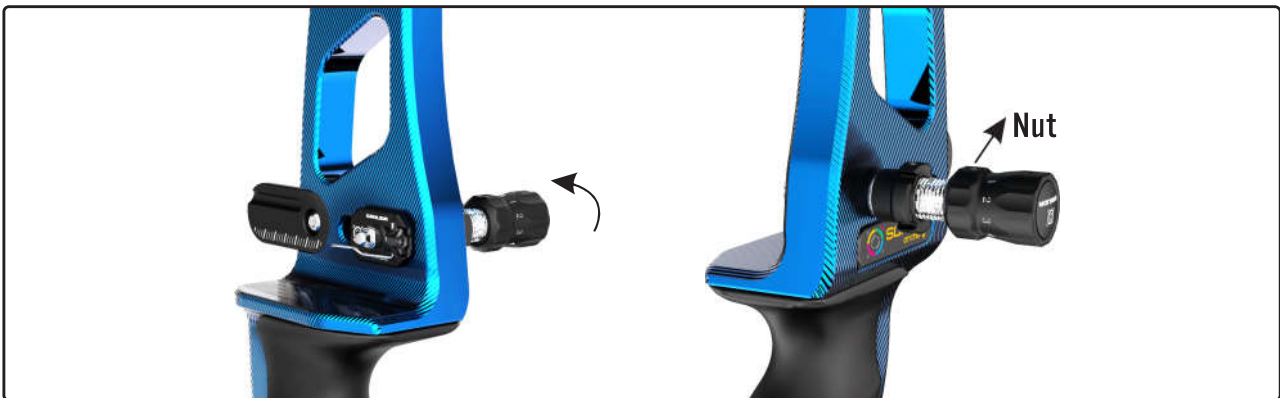
Arrow Rest Installation

Tear off the paper surface of the double-sided back glue of the arrow rest, paste one side on the back of the arrow rest and the other side on the riser, and keep the position of the arrow rest horizontal. Pay attention to keep the circular hole on the arrow rest concentric with the cushion plunger hole.

Cushion Plunger Installation

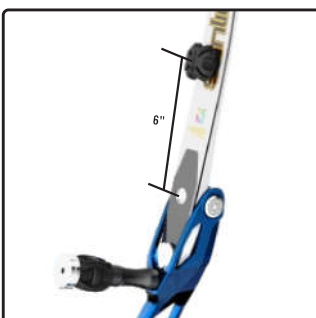
Screw the cushion plunger from the back of the riser into the hole of the cushion plunger, and adjust the cushion plunger according to the arrow spine to keep the arrow in the center of the bow. Tighten the cushion plunger with a wrench and lock the nut with jackscrew on both sides to ensure firm installation. Note that the wrench is in the accessory box of the cushion plunger (find in packing details number 12), which is equipped with a spring that can adjust the elasticity of the plunger as needed.

Adjust the angle of the arrow rest support arm accordingly.



Clicker Installation

Screw the knob and bolt of the clicker into the screw hole of the clicker on the riser, make the end of the clicker on the extension block of the clicker on the riser, and adjust the angle of the clicker according to the length of the arrow used.



Installation of Riser Damper and Limb Damper

Screw the riser damper into the damper bushing in the riser to ensure it is firm.

Peel off the adhesive paper surface of the limb damper, and stick the damper at the position about 6 inches from the upper and bottom limb to the elastic ejector rod of the limb to ensure firmness.

Stabilizer Installation

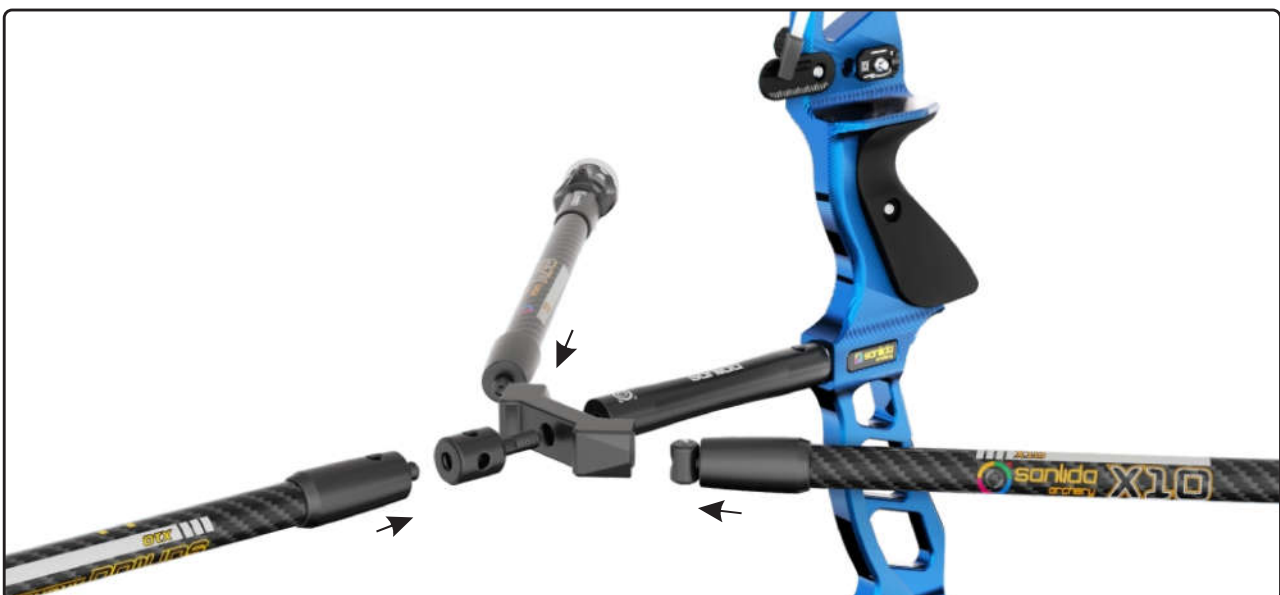
Long Rod: Install damper, weight (56g), weight (28g) and 1/4-20unc screws respectively at the end of the long rod;

Side Rod: Install damper, weight (28g) and 1/4-20unc screws at the ends of the two side rods respectively.

Extender: Screw the short rod screw into the screw hole of the riser stabilizer rod insert to ensure firmness. Ensure that each component is tightened firmly. As shown below:



First tighten and fix the V-bar and the extender together, then screw the 5/16-24UNF screw at the other end of the side rod into the quick connector, align it with the round hole on the V bar, insert and tighten it to ensure firmness. The 5/16-24UNF screw at the other end of the long rod shall be directly tightened with the screw hole on the connector to ensure firmness.



LIMB MAINTENANCE

Sanlida limbs are very low maintenance. However, a few simple steps can help keep them looking new and prevent minor problems. The most common limb issue is loose hardware. Over time, the stainless-steel button head screw holding the limb detent system in the limb can loosen. Use an Allen wrench to periodically re-tighten this screw. Do not over-tighten. The screw is designed to be removable to allow cleaning in the event of water immersion. However, the components are corrosion resistant and normal rainfall is not a problem. Lubricant is not required on any limb component when the limbs are used in Sanlida risers.

Sanlida limbs are water-resistant. Foam core limbs are potentially susceptible to moisture penetration if the protective finish is damaged (by a deep scratch, for example). The use of clear nail polish or clear automotive touch-up paint will help re-seal the foam and prevent moisture problems. After use in wet conditions, towel dry your limbs and riser to prevent water damage (do not use a heat source).

WARRANTY

RECURVE BOW RISER AND RECURVE LIMB WARRANTY.

PLEASE READ THIS DOCUMENT CAREFULLY. IT CONTAINS VERY IMPORTANT INFORMATION ABOUT YOUR RIGHTS AND OBLIGATIONS, AS WELL AS LIMITATIONS AND EXCLUSIONS THAT MAY APPLY TO YOU.

Sanlida warrants to the **ORIGINAL OWNER** that Sanlida Recurve Bow Risers will be free from defects in materials and workmanship for the lifetime of the product, and that Sanlida Recurve Limbs will be free from defects in materials and workmanship for two years from date of purchase. Sanlida Recurve Bow Riser and Sanlida Recurve Limb warranty is regulated under the following terms and conditions:

1. The original owner must retain and provide an original and dated proof of purchase (sales receipt).

THIS WARRANTY IS NOT TRANSFERABLE.

2. THE ORIGINAL OWNER MUST REGISTER THE RISER OR LIMBS WITH Sanlida WITHIN 30 DAYS OF PURCHASE. To register your product, visit www.Sanlida.com/warranty-registration to complete the registration process electronically, or contact Sanlida at (86) 391-3216637 or info@sanlidaarchery.com for assistance with registering your product.

Exclusions from Warranty Coverage.

This Limited Lifetime Warranty covers normal use of the product, and Sanlida does not warrant and is not responsible for:

1. The use of second hand products/accessories that alter Sanlida's specifications or design.
2. Damage to strings, damper materials, finish (including paint, anodize finishes etc.) resulting from normal wear-and tear.
3. If bow shows sign of misuse, alteration, or mishandling, this warranty will be void.
4. Use of arrows weighing less than 5 grains per pound of draw weight will void the warranty.
5. Damage to 'other' accessories in the kit.
6. Damage cause by dry fire & man-made.

OBTAINING WARRANTY SERVICE

To obtain warranty service, you must return your bow to a Authorized Sanlida Dealer. The dealer can help to determine if Sanlida factory service is required or if the dealer can complete the repair.

Authorized Sanlida Retailers may provide additional services and apply additional charges for service work performed by the dealer. If Sanlida determines, that a bow qualifies for warranty repair, Sanlida will make every effort to repair the bow. Repairs may be performed with original parts when available. Sanlida reserves the right to make part substitutions on warranty coverage for any reason. If original parts are not available, suitable replacement parts/components may be used.


There are no other warran ties expressed or implied that extend beyond those written here. No agent, employee or representative of Sanlida or its dealers have the authority to bind Sanlida to any Agreement not herein stated.

In no event shall Sanlida or any Sanlida affiliate be liable to you or any other party for loss, damage, or injury of any kind beyond the bow itself.



LET EVERYONE ENJOY ARCHERY SHOOTING

 Like us on facebook
<https://www.facebook.com/Sanlidaarchery/>

 Follow us on Instagram!
<https://www.instagram.com/sanlidaarchery/>

 **You Tube** Please search sanlida archery
<https://www.youtube.com/channel/UCZ7VchteVQTNtygiDIDu4zg/featured>

 Follow us on Tiktok! @Sanlidaarchery.

Jiaohui Road, Shanyang District, Jiaozuo Henan, China 454171
TEL +86-391-3216637 | Email info@sanlidaarchery.com

WWW.SANLIDAOUTDOOR.COM/WWW.SANLIDAARCHERY.COM
WWW.SANLIDAARCHERY.CN