

**HERO X10 TARGET COMPOUND BOW KIT
(Flexible Draw Wall Edition)
OWNER'S MANUAL**





TABLE OF CONTENTS

Bow Owner's Personal Info	01
Important Safety Information.....	02
Packing List	03
Terminology	04
Key Point	05
Cam System	05
Draw Length Adjustment	07
Cable Guard Adjustment	08
Draw Weight Adjustment	08
Instruction of Bow Press	09
X10 Sight And Scope.....	09
Bow Tuning	12
Specifications.....	12
Installation of Accessories	12
Compound Bow Maintenance	18
FAQ	19
Notes	20

THANK YOU FOR CHOOSING SANLIDA ARCHERY

Congratulation on purchase of the Hero X10 target compound bow kit.

We are excited you purchased a competitive compound bow set. Every accessory in this kit is specially designed and made for competitive tournament.

Whether you are an experienced archer or have never shot a bow, you must **READ THIS ENTIRE MANUAL CAREFULLY** before using your bow. Following all warnings and instructions contained in this manual will help ensure you and others have the safest and most enjoyable shooting experience possible.

Good luck and safe shooting!

BOW OWNER'S PERSONAL INFO

Fill in the following personal bow record for your reference.

Hero X10 Bow Model : _____

Purchased From: _____

Purchase Date: _____

Draw Length: _____

Draw Weight: _____

IMPORTANT!

Sanlida provides after-sales service to original users. The after-sales service includes riser, limbs,limbs pocket and cam system.Damage by dry fire, unauthorized modification and other man-made damages are not covered in the warranty policy.

Please keep the sales receipt. If you need after-sales service, please apply to the dealer where you purchased this product.

SAFETY INFORMATION

WARNING

**READ THIS MANUAL CAREFULLY BEFORE USING YOUR HERO X10.
TO AVOID SERIOUS INJURY OR DEATH, FOLLOW THE SAFETY INFORMATION IN THIS MANUAL.**

⚠ WARNING: This is a high-performance bow, you must take upon the responsibility of using it. Please ensure your shooting area is clear and smooth as well there won't be any persons come into it by accident.

⚠ WARNING: Never shoot or tune a damaged bow.

⚠ WARNING: Never shoot a damaged arrow.

⚠ WARNING: Never tune the bow or shoot the bow after drugs or alcohol.

⚠ WARNING: Don't do any unauthorized alternation from its original factory configuration.

Unauthorized alternation to the limbs,riser,limbs pocket,cams,string and cables might caught serious damage.

⚠ WARNING: Be sure the weight of arrow is no less than 5 grain per your bow's peak weight. (1 grain = 0.0648g).

⚠ WARNING: Shoot the arrows with suitable length to prevent the arrow fall down from the arrow rest when draw the bow back.

⚠ WARNING: Never shoot the bow with a incorrect arrow spine.Shooting an incorrect arrow spine could cause your arrow to break and cause serious injury to you or others.

⚠ WARNING: Never aim any other peoples or other subjects except your target.

⚠ WARNING: Use the correct shooting pose to prevent the arm injure by the string.

⚠ WARNING: Never dry fire! As it would damage the bow and hurt to the shooter.

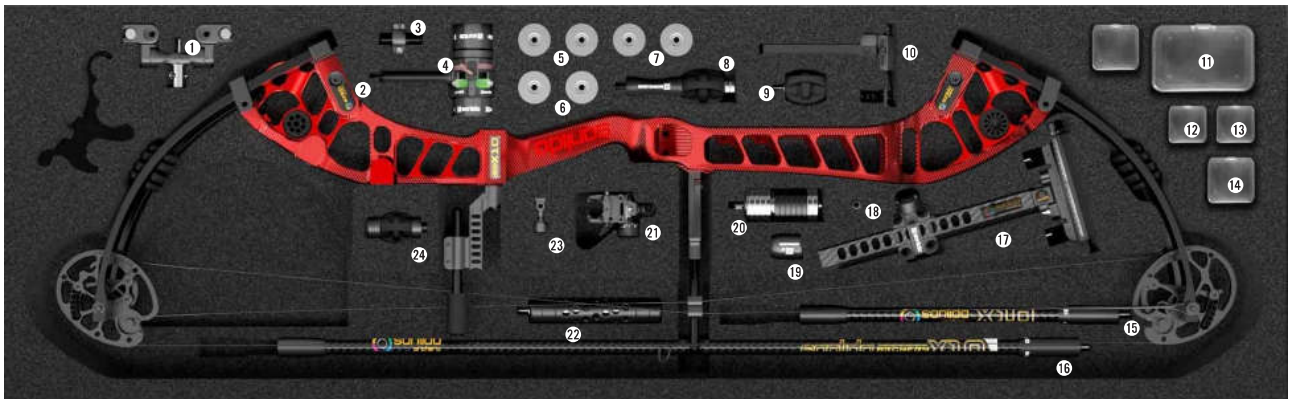
⚠ WARNING: Please notice the surroundings and ensure the enough shooting space to use the Bow.

⚠ WARNING:No permission for illegal using of the bow.

⚠ WARNING:Never try drawing a bow that is too heavy for your strength or that does not fit your draw length as this could lead to an unintentional dry fire.Stop using this bow and contact our authorized dealer for futher test once dry fire happens.

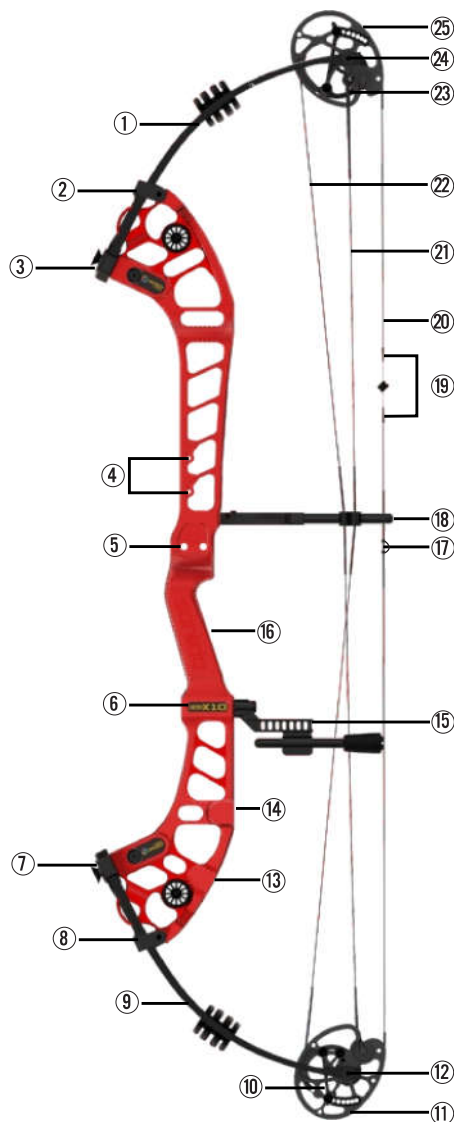
⚠ WARNING:Never loosen the limbs bolt more than 5 turns.

PACKING LIST OF HERO X10 KIT



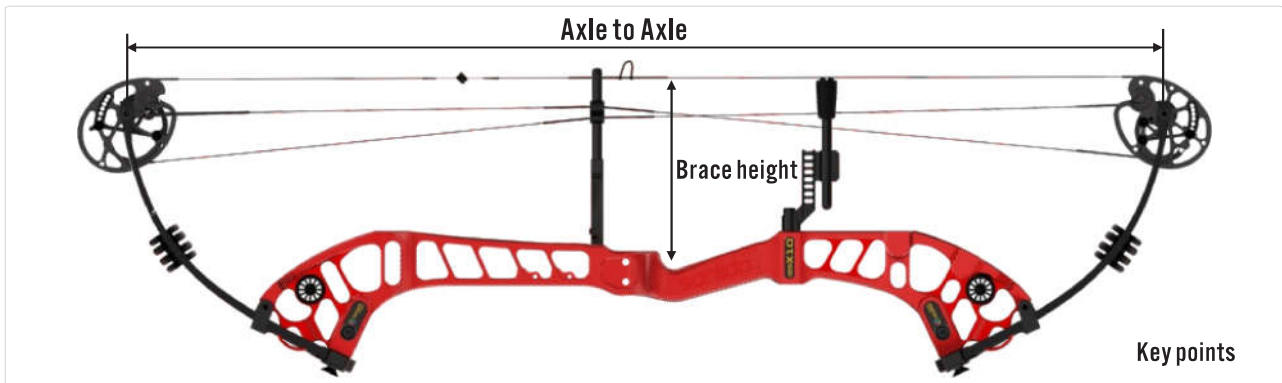
1. V-bar
2. Hero X10 compound
3. Scope fixed buckle part 1
4. Compound scope
5. Stabilizer weight 56g -2pcs
6. Stabilizer weight 112g -2pcs
7. Stabilizer weight 28g -2pcs
8. Riser damper
9. Stabilizer damper
10. Arrow rest
11. Spanner
12. Accessories of stabilizer quick connection
13. Accessories of arrow rest
14. Accessories of long rod and side rod
15. Side rod
16. Long rod
17. Main part of sight
18. Peep sight
19. Stabilizer quick connection
20. Long rod damper
21. Aperture block of sight
22. Extender
23. Scope fixed buckle 2
24. Scope damper

HERO X10 TERMINOLOGY



- | | |
|------------------------|-----------------------------|
| ① Limbs | ⑭ Stabilizer Weight Bushing |
| ② Limb Pocket | ⑮ String Stopper |
| ③ Limb Bolt | ⑯ Grip |
| ④ Sight Bushing | ⑰ D-Loop |
| ⑤ Rest Bushing | ⑱ Cable Guard |
| ⑥ Stabilizer Bushing | ⑲ Position Rope of Peep |
| ⑦ Limb Bolt | ⑳ String |
| ⑧ Limb Pocket | ㉑ Buss Cable |
| ⑨ Limbs | ㉒ Control Cable |
| ⑩ Bottom Module | ㉓ Upper Module |
| ⑪ Lower Cam | ㉔ Axle |
| ⑫ Axle | ㉕ Upper Cam |
| ⑬ Riser Damper Bushing | |

KEY POINT



HERO X10 CAM SYSTEM

Big cam system



Lower cam(big cam)



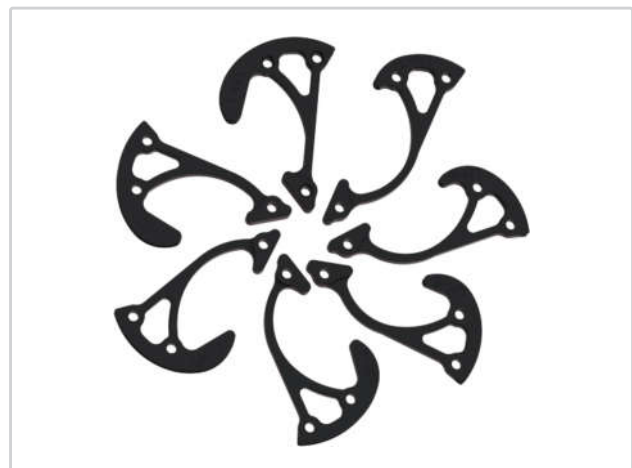
Upper cam(big cam)

Details of big cam draw length modules

(Reminder:Each Hero X10 compound kit contains one set of draw length modules)



Lower cam module (big cam)



Upper cam module(big cam)

Medium cam system



Lower cam (medium cam)



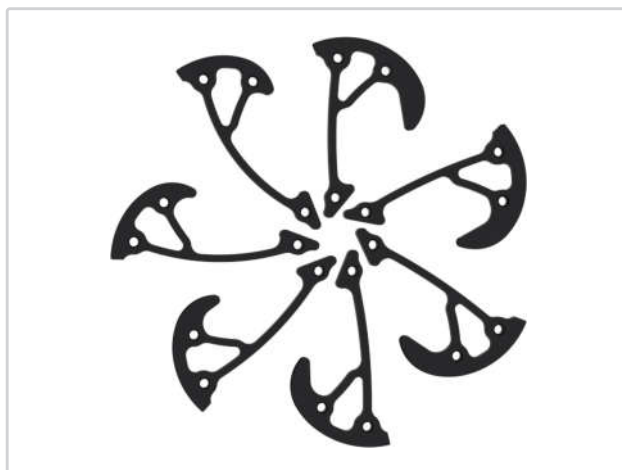
Upper cam (medium cam)

Details of medium cam draw length modules

(Reminder: Each Hero X10 compound kit contains one set of draw length modules)



Lower cam modules (Medium cam)



Upper cam modules (Medium cam)

Small cam system



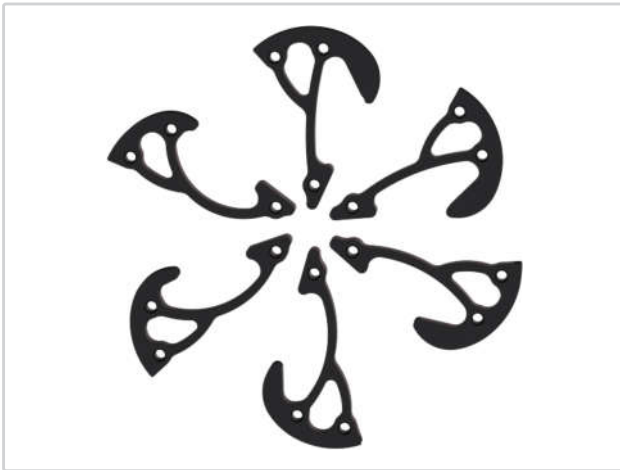
Lower cam (small cam)



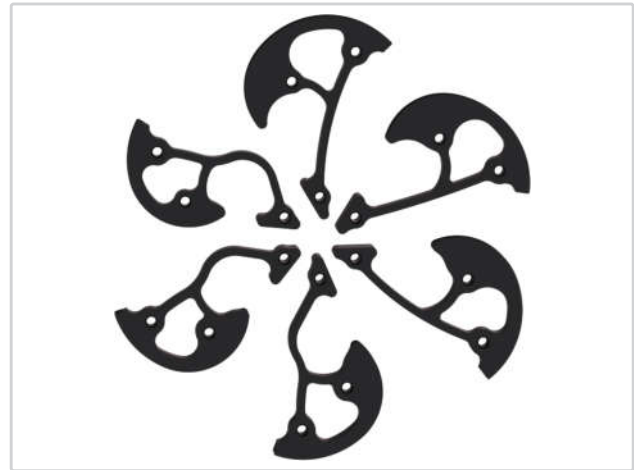
Upper cam (small cam)

Details of small cam draw length modules

(Reminder: Each Hero X10 compound kit contains one set of draw length modules)



Lower cam modules (small cam)



Upper cam modules (small cam)

Reminder:

- U-Upper module
- L-Lower module
- B-Big cam
- M-Medium cam
- S-small cam
- Number-Number of modules
- Hero X10 compound bow uses hybrid cam system.

ADJUSTING DRAW LENGTH

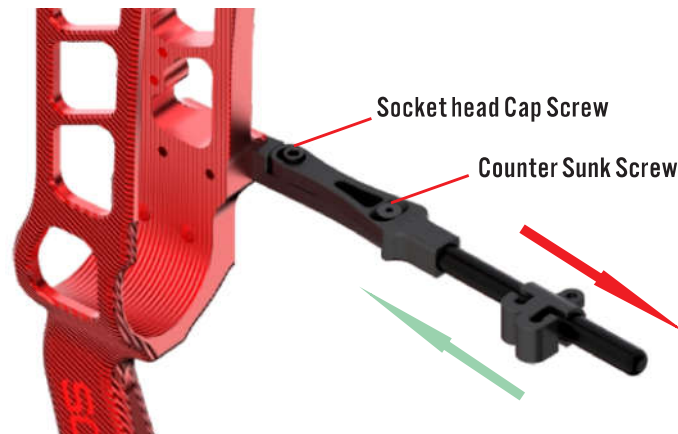
- When adjusting the draw length, you need to change the upper modules and lower modules at the same time.
- When changing the modules, the numbers of the upper module and lower module must be the same. Changing the module may cause slight changes of both bow draw weight and cam synchronization.

Relations Between Draw Length And Module

	Small Cam		Medium Cam		Big Cam	
	Module No.	Draw length	Module No.	Draw length	Module No.	Draw length
IBO Draw Length	US-1 LS-1	27"	UM-1 LM-1	29.5"	UB-1 LB-1	32"
	US-2 LS-2	26.5"	UM-2 LM-2	29"	UB-2 LB-2	31.5"
	US-3 LS-3	26"	UM-3 LM-3	28.5"	UB-3 LB-3	31"
	US-4 LS-4	25.5"	UM-4 LM-4	28"	UB-4 LB-4	30.5"
	US-5 LS-5	24"	UM-5 LM-5	27.5"	UB-5 LB-5	30"
	US-6 LS-6	24.5"	UM-6 LM-6	27"	UB-6 LB-6	29.5"
			UM-7 LM-7	26.5"	UB-7 LB-7	29"

Modules can't be installed mixed

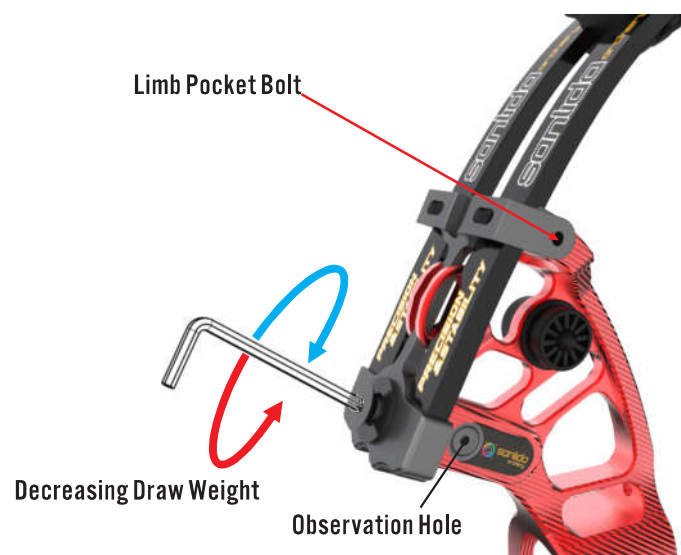
CABLE GUARD ADJUSTMENT



- Move the rod a little to the direction of red arrow in the picture, turn it into appropriate angle. Then push the rod back to the position for fitting into the rod mount, and tighten it by fastening fix screws.
- This method can adjust the distance between two cables and the string to prevent the contact between arrow vane and cable when using vanes in different sizes.

DRAW WEIGHT ADJUSTMENT

- The draw weight adjustment range is 10 pounds, and the limb bolt is allowed to adjust 4 turns.
- When adjusting the limb bolt, turn the limb bolt clockwise to increase the draw weight; turning the limb bolt counterclockwise to reduces the draw weight. Each turn of the limb bolt changes the draw weight by 2-3 lbs.
- When adjusting the draw weight, both upper and lower limb bolt must be adjusted in same turns. Then draw the bow to check if it is synchronized .
- When adjusting the draw weight, do not loosen the limb bolt excessively .



BOW PRESS INSTRUCTION

- It is necessary to make sure the initial setup of the Axle-to-Axle , brace height, cam after the entire bow string is installed and adjusted. This will ensure the performance of the bow can be fully exerted.
- The cam synchronization means the bow string hit the draw stop peg on the upper and the stop peg of lower cams simultaneously to complete the stop motion of the cam while full draw of the bow.
- When the upper cam and lower cam do not hit on the bowstring at the same time, it means that the upper cam and lower cam do not rotate synchronously. This is cams non-synchronization.
- The bow may not be synchronized after attaching accessories. If bare bow installed with different accessories, it may also cause slight cams non-synchronization. So we recommend that a bow is only used by one person.
- When the upper cam and lower cam are out of synchronization, the length of the bow string needs to be adjusted (see the following instruction for the bow adjustment method). Now , it is time for you to use the bow press. Here is a introduction of how to use the bow press as following:
- It's very important to use bow press correctly.
- Choose the correct bow press to make sure that the string and cables can be taken out easily when compressing the bow.
- The limb is not allowed to be pressed against the supporting pole.
- For a split bow limb, the bifurcations of the bow press should seize the end of the limb, which will help to prevent the slipping out of the bow while compressing the limbs. The bifurcations of the bow press also should have the proper length to allow the rotation of the cam when compressing the bow.
- The bow limb must be accurately leaned on the bifurcation of the bow press without twist on the limb for avoiding the falling off of the bow from the bow press and cause injury.
- Do not excessively bend the bow . To avoid abnormal bow bending, resulting in damage or broken bows and other serious accidents.
- Do not attempt to use the bow press without proper training.

INSTRUCTIONS OF X10 SIGHT AND SCOPE

A.Caution and Warnings

This products are designed with great care for safety. However, due to the nature of this product, certain parts contain sharp edges. Please take care when handing this product.

To ensure using this product to best effect, please confirm the following points before and after shooting:

1. Is the sight firmly attached to the bow riser?
2. Is the mounting knob firmly tightened?
3. Are there any loose screws?
4. Are all moving parts moving smoothly?

In the case of a problem concerning above points, abort usage immediately, and contact your archery retailer about the issue.

If used in rain or otherwise exposed to moisture, use a soft cleaning cloth to wipe off excess moisture, and let dry in a place with low humidity.

Please follow the instructions in this instructions sheet closely to avoid breakage or malfunction. This sight is compatible with all bows featuring 10# -24 threaded sight mounting holes that are 33.3 mm apart.

This sight is compatible with scopes featuring a 8# -32 threaded scope rod. Please use only the included 10# -24 sight mounting screws.

Damage caused by over tightening of screws, or tightening at a wrong angle is not covered by warranty.

Adaptability: this product is suitable for the scope with standard 10#-32 screw on the market, and increases the adaption function with similar products. Can be fitted the scope from other manufacturers by changing the base of the scope.

B.Scope installation

Insert the scope into the mounting hole and fix it with the screw.

Note that there is a small positioning groove on one side of the dovetail platform of the scope base, which should face upward. Then tighten the fixing screw of the scope base, and screw it into the positioning groove.

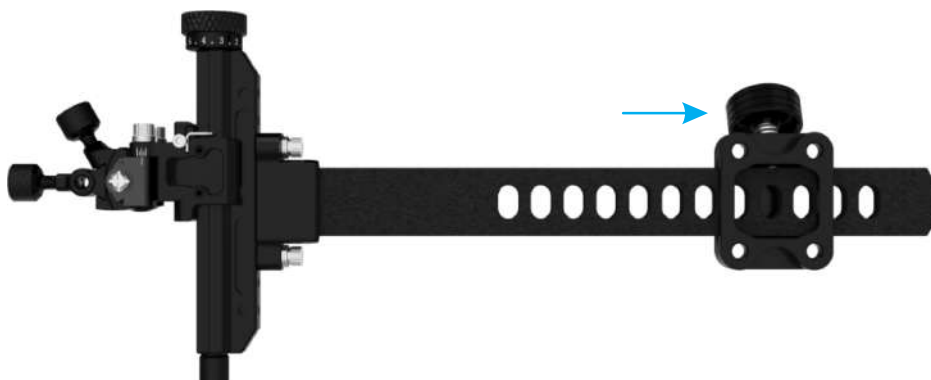


C. Sight adjustment

1. Push the adjust buttons on the Aperture Block and insert it from the bottom of the Elevation Bar. Move the Aperture Block to the proper location, then release the button, make sure the Aperture Block and Elevation Bar are matched perfectly. Please note that the Release Lever must be fully depressed when inserting.



2. Release the fixed knob on the mounting seat of the sight, and the extension rod of the scope can be adjusted back and forth.



3. Press the quick adjustment knob to quickly adjust the upper and lower positions of the crosshair. Turn the up and down adjustment knob to fine adjust the up and down position of the scope.



4. Turn the left and right adjusting knob to fine adjust the left and right position of the scope. Loosen the fixing nut of the scope, screw the sight, you can quickly adjust the left and right position of the scope. After adjusting to the appropriate position, it is necessary to tighten the sight fixed nut, so as not to loosen the scope and rotate.



BOW TUNNING

Situation 1: If upper cam draw stop peg touch string and the lower cam draw stop peg do not touch string, we need to add twists of the control cable. Or we can subtract twists of power cable. Each twist of cable can adjust the distance between string and the stop peg 1mm.

Situation 2: If upper cam draw stop peg do not touch string and the lower cam draw stop peg touch string, we need to subtract twists of the control cable. Or we can add twists of power cable. Each twist of cable can adjust the distance between string and the stop peg 1mm.

SPECIFICATIONS OF HERO X10

Axle-To-Axle	40"
Brace Height	Small Cam: 7.16" Mediu Cam: 7.5" Big Cam: 7.68"
Draw Weight	30 ~ 40 LBS 40 ~ 50 LBS 50 ~ 60 LBS 60 ~ 70 LBS
Let Off	72%
Color	Red、Gold、Cobalt blue、Lake blue、Black Green、Yellow、Purple、Silver、Pink
IBO Speed	315FPS

INSTALLATION OF ACCESSORIES

★Please check the **PACKING LIST** on **Page 3** to find the accessories mentioned.

1. Peep sight

Required accessories: No.18

Use a splitter to separate the string at the peep sight line on the string, and clamp the peep sight to the string. The peep sight is facing downward and rear, and then tight the peep sight to string with a string



2. Stabilizer quick connection

Required accessories: No.12, No.16, No.19, No.20, No.22

Take out the screws from No. 19 and No. 12 boxes and screw them on the weight hole at the front end of the bow handle.

Take out the extender, and then take out the cylindrical nut in the No. 12 box, screw it to the threaded end of the extender, without screwing it to the end, then insert the cylindrical nut into the quick release installed in the previous step, and tighten the extender.



Screw the cylindrical nut of No.19 to the threaded end of No.16 without tightening it, and then screw No.20 to the other end of 16. Set aside for later use.



3.V-bar and stabilizer

Required accessories: No.1, No.5, No.6, No.7, No.9, No.14

Take out No.1 and V-bar, remove the nut, and then install the V-bar on the counterweight hole at the back of the riser.



Take out the No.15 side rod, and then screw one of the nuts removed from the V-bar onto the end of the side rod with the screw. There is no need to screw it to the end. The other nut can be put back in the package as a spare part.

Then take out one each of No.5, No.6, and No.7, the screws in No.9, and No.14 and screw them on the other end of the side rod. Then set it aside for later use.



4.Riser damper:

Required accessories: No.8

Take out No.8 and screw it on the riser.



5.Arrow rest installation and adjustment

Required accessories: No.10 and No.13

Use screws from No.13 and washers to fix No.10 on the riser. The arrow rest keep level.



6.Installation of scope ,scope damper and sight

Required accessories: No.3 ,No.4 ,No.17, No.21, No.23, No.24

Among them, No.23 is used for replacement and can be omitted from assembly.

Installation:

Loosen the thread on No.3, remove the cylindrical aiming head fixing rod and put it back into the package as a replacement part.

Insert the fixing rod on No.4 into No.3, and then tighten the screws. (Pay attention to the installation direction)



Take out No.17, loosen the sight fixing knob, take off the main body of the sight, and install the sight mounting seat on the riser with screws.



Take out No.21, (see section A of the scope manual for the subsequent text description).
(Part B)



Adjustment of scope and sight

(Part C)

Loosen the fixing screw of the scope, you can quickly adjust the left and right position of the scope. After adjusting to the proper position, the scope fixing screw needs to be tightened to prevent the scope from loosening and rotating.

Take out No.24 and screw it on the thread at the end of the scope.



7.Side rod installation

Install the side rod with the nut screwed in the previous step on the left side of the V-bar.



The remaining unused accessories are spare accessories, which can be selected according to personal habits or preferences.

The finished product after assembly is the same as the cover picture.

COMPOUND BOW MAINTENANCE

ACCESSORY SELECTION

Sanlida Archery manufactures a broad selection of archery gear and accessories. Your Genuine Sanlida Retailer can help you choose, install and tune the proper gear and accessories for your style of shooting. Do not modify your bow to accommodate an accessory that is not meant for your bow.

BOW MAINTENANCE

Your bow is a mechanical device and as such, is subject to wear and need of periodic inspection, adjustment and service. Sanlida recommends that you take your bow to a Genuine Sanlida Retailer at least once a year for a professional maintenance, cleaning and inspection. Areas to be inspected are axles, spacers, strings, cables, limbs, cams, pockets, pocket rockers and slides, and riser.

STRINGS AND CABLES

Apply a light coat of bowstring wax to your bow's cables and string on a regular basis. Sanlida suggests once every two weeks during peak use. Use a high quality bowstring wax available at your local Genuine Sanlida Retailer. This will keep your bow's strings and cables in good condition. To ensure best results, replace your string and cables when wear is evident or every two years under normal use conditions.

FINISH

The finish on your bow requires very little maintenance. A few simple actions can help keep your bow looking new. Keep it clean by removing mud, dust and other contaminants from the finish by using a damp cloth. After use during wet conditions, towel-dry your bow to prevent water damage. (Do not use a heat source to dry your bow.) Do not use chemicals, solvents or products such as bug repellents that may harm your bow's finish. Any damage to the paint and finish caused by, but not limited to, chemicals, solvents, scent sprays, or other products will not be covered under warranty. Warranty coverage of paint and finish is limited to manufacturing defects only.

Thank you for reading. Welcome to be member of Sanlida.

FAQ

1. There is abnormal noise or vibration during use.

Solution: Check the whole bow and tighten the loose screws.

2. Abnormal noise when drawing the bow.

Solution: Slightly loosen the screws of the bow frame.

3. The bowstring is fluffing.

Solution: Use string wax to maintain the bowstring or contact an authorized dealer to replace the bowstring.

4. The bowstring vibrates abnormally or sounds abnormally when it is released.

Solution: Do not use metal D-loops, and do not install any decorative products on the string.

5. The upper and lower cams are not synchronized.

Solution: Please refer to the bow tuning section for adjustment.

6. The position of the peep sight moves and can not aim.

Solution: Please refer to the accessory installation part to adjust the peep sight, or contact an authorized dealer for adjustment.

7. The arrow vanes are rubbed against the buss cable.

Solution: Please refer to the tuning part of the cable guard and adjust the cableguard to the outside.



Jiaohui Road, Shanyang District, Jiaozuo Henan, China 454171
TEL +86-391-3216637 | Email info@sanlidaarchery.com

 Like us on facebook
<https://www.facebook.com/Sanlidaarchery/>

 Follow us on Instagram!
<https://www.instagram.com/sanlidaarchery/>

 Please search : sanlida archery or type the link below
<https://www.youtube.com/channel/UCZ7VchteVQTNtygiDIDu4zg/featured>

**SANLIDA COMPOUND BOW
LIMITED LIFETIME WARRANTY**

Hero X10 bow is guaranteed against
manufacturing defects in material or workmanship
to the original owner on all risers, limbs, limb pockets,
and cam system for the life of the product.

**WWW.SANLIDAOUTDOOR.COM/WWW.SANLIDAARCHERY.COM
WWW.SANLIDAARCHERY.CN**